

MIDI Hopper tank (990 x 990 mm)

art. AP3420.00.02



Mini hopper tank

Product description

Advance stock tanks for biomass fuels are extremely modular. They increase space efficiency improving at the same time the installations autonomy.

Made of strong materials to allow intensive and long-lasting use.

Thanks to a variety of accessories, it is possible to customize the system according to the user's needs.

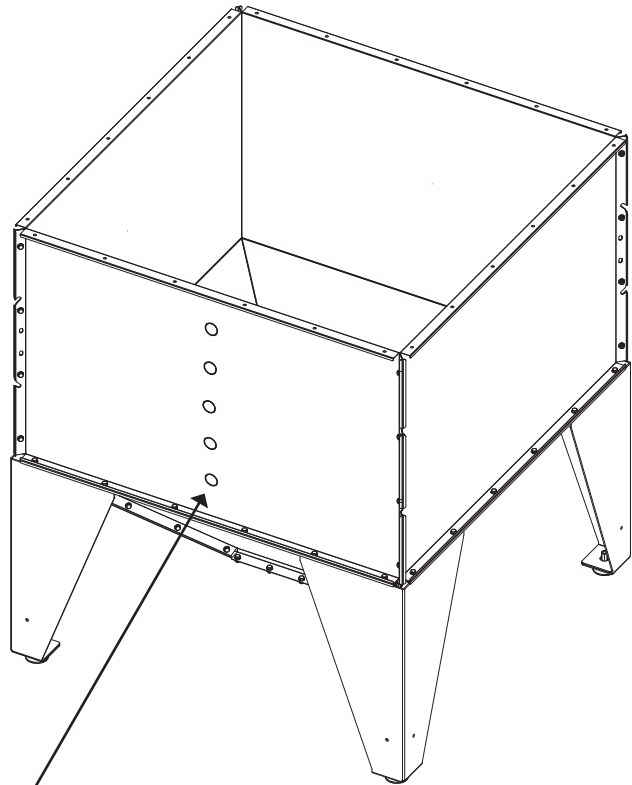
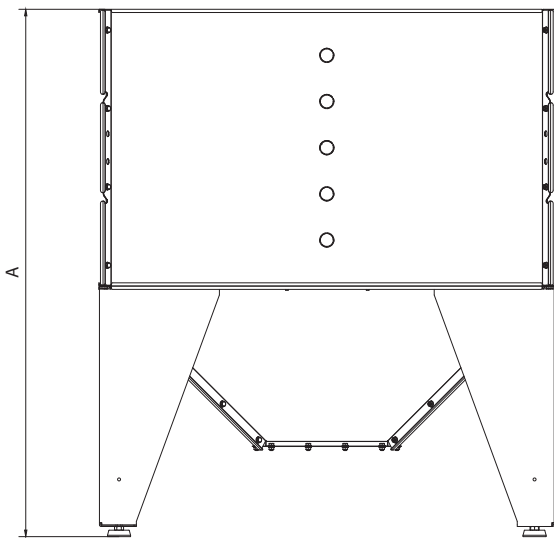
All models are equipped with base regulators.

Every support is prearranged with a wiring point for ground connection.

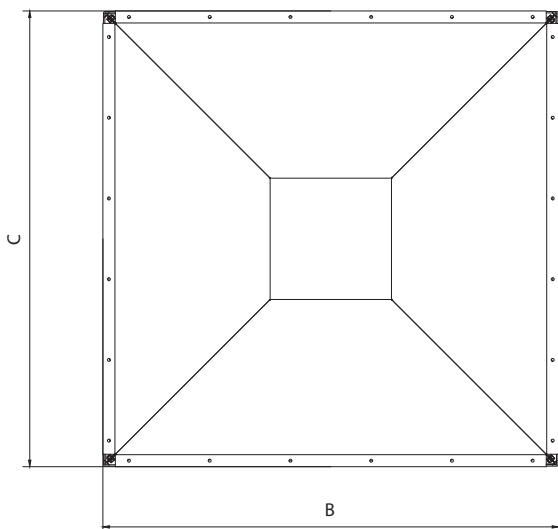
This kind of stock tank can be used with vacuum cases with valve art. AP3400.00.02 - art. AP3400.00.03.

Hopper tank specifications

Art.	Model	Technical features					
	MIDI	Height A mm	Depth B mm	Lenght C mm	Weight Kg	Capacity l	Maximum load Kg
AP3420.00.02	Hopper tank	1140	990	990	50,7	660	1400



N.B.: Arrangement for level sensor art. AP4210.00.01



Regulations

CE CE Marking: our product complies with the essential requirements of the relevant European health, safety and environmental protection legislation.