

NOVA 1 vacuum unit

art. AP1000.50.00



Central vacuum unit for solid transport

Product description

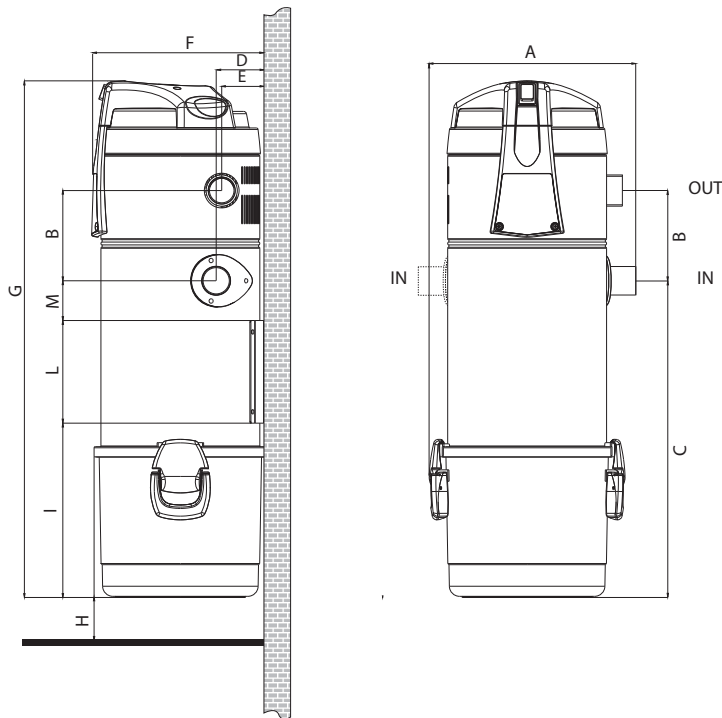
It is an extremely powerful and reliable vacuum unit, with simplified design and a body made of steel.

The dust container is made of transparent plastic material.

It offers great vacuum power, it is a tangential bypass single stage motor with brushes, control board with double-protection command and protection fuse on prime circuit.

The polyester filter has large filtering surface and can be washed with water.

Possible connection to the pipes from the left or from the right and it can be used with all Advance accessories.

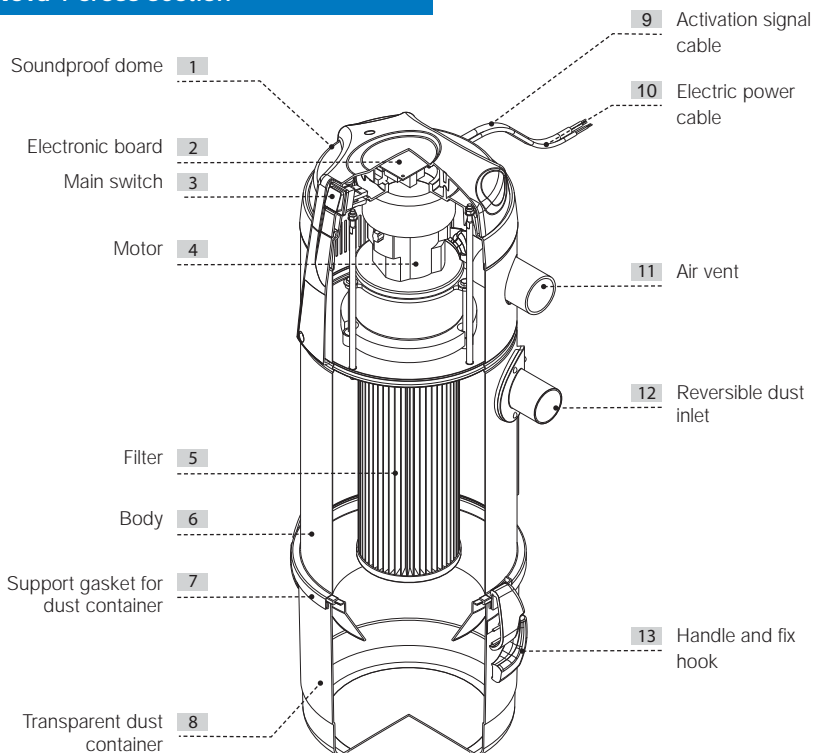


NOVA 1		
Model Nova 1		AP1000.50.00
Weight	kg	10,5
Measurement A	mm	363
Measurement B	mm	158
Measurement C	mm	555
Measurement D	mm	86
Measurement E	mm	76
Measurement F	mm	305
Measurement G	mm	906
Measurement H (min)	mm	100
Measurement I	mm	356
Measurement L	mm	180
Measurement M	mm	20
Noise level	dB(A)	< 70

N.B.: Nominal noise levels. Levels can vary according to installation places and installation type.

NOVA 1 specifications		
Model Nova 1		AP1000.50.00
Dust inlet pipe	Ø mm	50
Discharge pipe	Ø mm	50
Protection degree	IP	20
Power	V ac	230
Frequency	Hz	50/60
Motor Power	kW	1,35
Absorption	A	5,6
Maximum air flow	m ³ /h	216
Filtering surface	cm ²	6700
Dust container capacity	l	18
Filtration class	BIA	M

Nova 1 cross section



Regulations

CE CE Marking: our product complies with the essential requirements of the relevant European health, safety and environmental protection legislation.

IP 20 IP protection degree

Electrical insulation level CLASS I