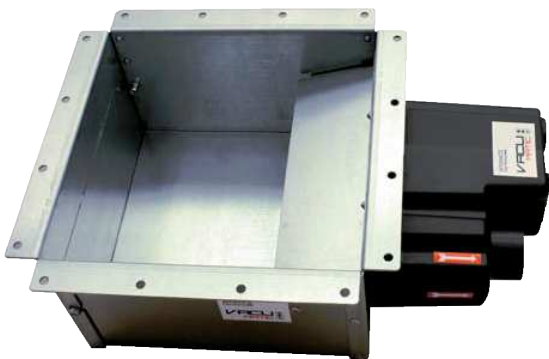
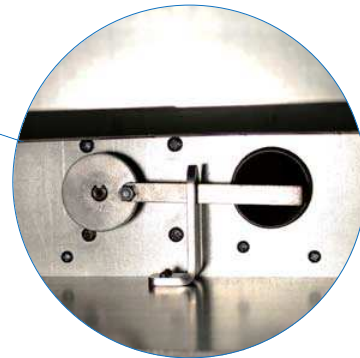


ADVANCE

Easy Moving

www.advanceeasymoving.com



VACU MATIC

Extraction from the bottom
art. AP3400.00.06

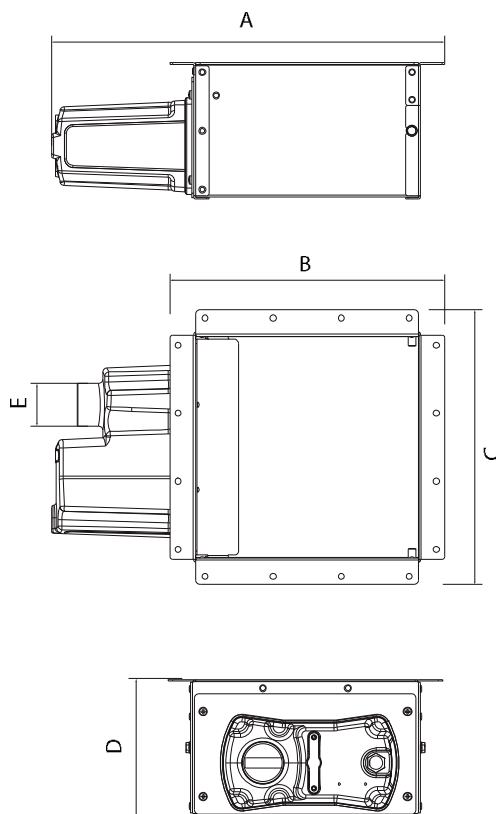
SUCTION CASE WITH MOTORIZED NOZZLE

Product description

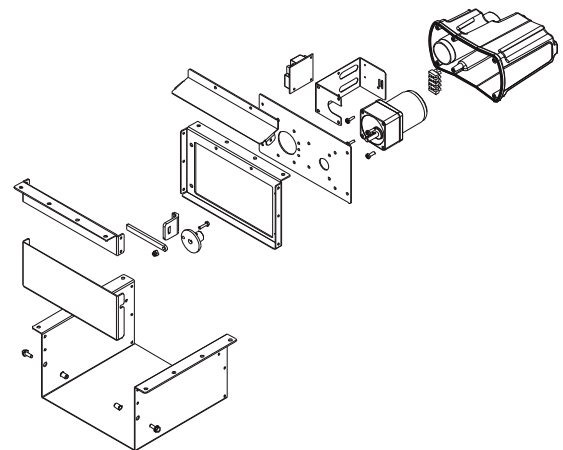
This accessory was designed and built for the extraction of solid fuel from any type of silos with hopper. In particular it perfectly integrates with ADVANCE systems built with a single pneumatic conveying pipe system. It is designed to achieve the easiest installation and minimum maintenance, as well as for extended use in a professional environment. It requires the electrical connection to the ADVANCE Control Panel to manage its operation in connection to the fuel transfer systems. It is made of thick galvanized sheet metal, with openings to facilitate inspections. It is equipped with a strong motor, which guarantees the operation even in heavy conditions. It can be combined with all ADVANCE vacuum units and accessories.

Vacu Matic		
	Unit of measure	AP3400.00.06
Weight	Kg	7,7
Measure A	mm	462
Measure B	mm	323
Measure C	mm	323
Measure D	mm	160
Measure E	∅	50




Vacu Matic		
	Unit of measure	AP3400.00.06
Power	V	230
Frequency	Hz	50
Protection degree	IP	40
Power	W	15
Absorption	A	0,14
Rpm	rpm	12
Rated torque Nm	Nm	5



Cutaway view Vacu Matic



Regulations

-  The product bears the CE marking which attests its compliance with the provisions of the applicable European directives.
-  **IP 40** Protection degree IP
-  Insulation class CLASS I